

Kataloški broj Catalogue No.	Prečnik provodnika Conductor Diameter A (mm)	Dimenzije - Dimensions						Težina Weight (≈kg)
		B	B	C	D	E	M	
		(mm)	(mm)	(mm)	(mm)	(mm)	(mm)	
BN04 18 18	17 – 20	165	127	80	8	80	M10	3,750
BN04 22 22	20 – 23	165	127	80	8	80	M10	3,950
BN04 25 25	23 – 26	165	127	80	10	80	M12	4,300
BN04 27 27	26 – 29	165	127	100	12	90	M12	4,600
BN04 30 30	29 – 32	165	127	100	12	90	M12	4,850

Stezaljke su namenjene za montažu Cu provodnika na potpornim izolatorima.

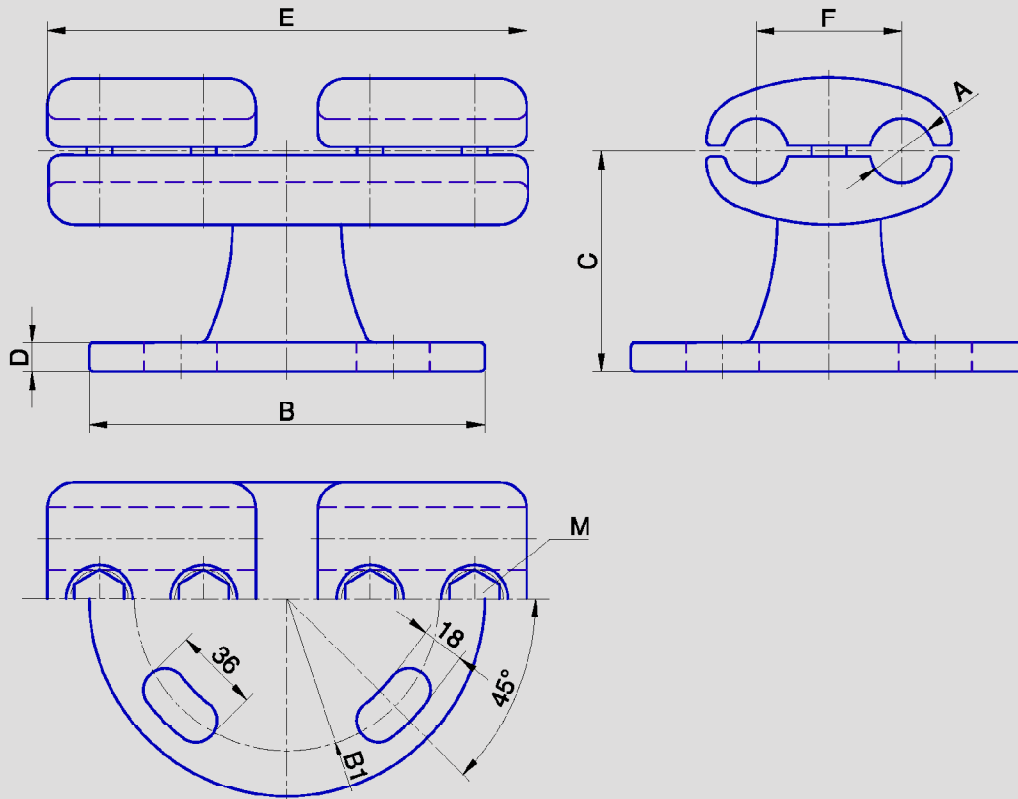
Connectors are applied for mounting of Cu conductors to post insulators.

NAPOMENA:

Kod narudžbine je potrebno pored kataloškog broja navesti vrstu i tačne dimenzije provodnika za koje će stezaljka biti namenjena.

NOTE:

In the order, besides the catalogue number, indicate the type and exact dimensions of conductors for which the connector is to be applied to.



Kataloški broj Catalogue No.	Prečnik provodnika Conductor Diameter A (mm)	Dimenzije - Dimensions							Težina Weight (≈kg)
		B	B1	C	D	E	F	M	
		(mm)	(mm)	(mm)	(mm)	(mm)	(mm)	(mm)	
BN042 18 18 50	17 - 20	165	127	80	8	170	50	M10	8,000
BN042 22 22 50	20 - 23	165	127	80	8	170	50	M10	8,350
BN042 25 25 50	23 - 26	165	127	90	10	200	50	M12	9,100
BN042 27 27 50	26 - 29	165	127	100	12	200	50	M12	9,700
BN042 30 30 50	29 - 32	165	127	100	12	200	50	M12	10,250

Stezaljke su namenjene za montažu Cu provodnika na potpornim izolatorima.

Connectors are applied for mounting of Cu conductors to post insulators.

NAPOMENA:

Kod narudžbine je potrebno pored kataloškog broja navesti vrstu i tačne dimenzije provodnika za koje će stezaljka biti namenjena.

NOTE:

In the order, besides the catalogue number, indicate the type and exact dimensions of conductors for which the connector is to be applied to.